

LFB – Filterbox

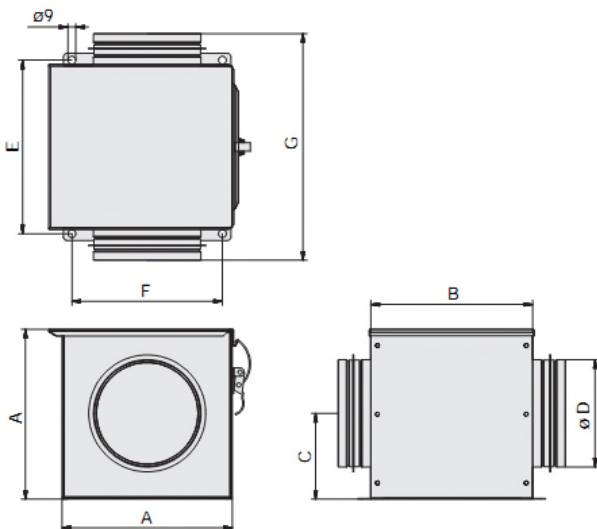
Tube Fans / Zeroboxen (R/RS/Z)

Casing made of galvanized sheet steel with folding cover for easy filter change. Filter of filter class ISO coarse $\geq 60\%$ (formerly G4) are inclusive. Connections suitable to standard tube diameters.



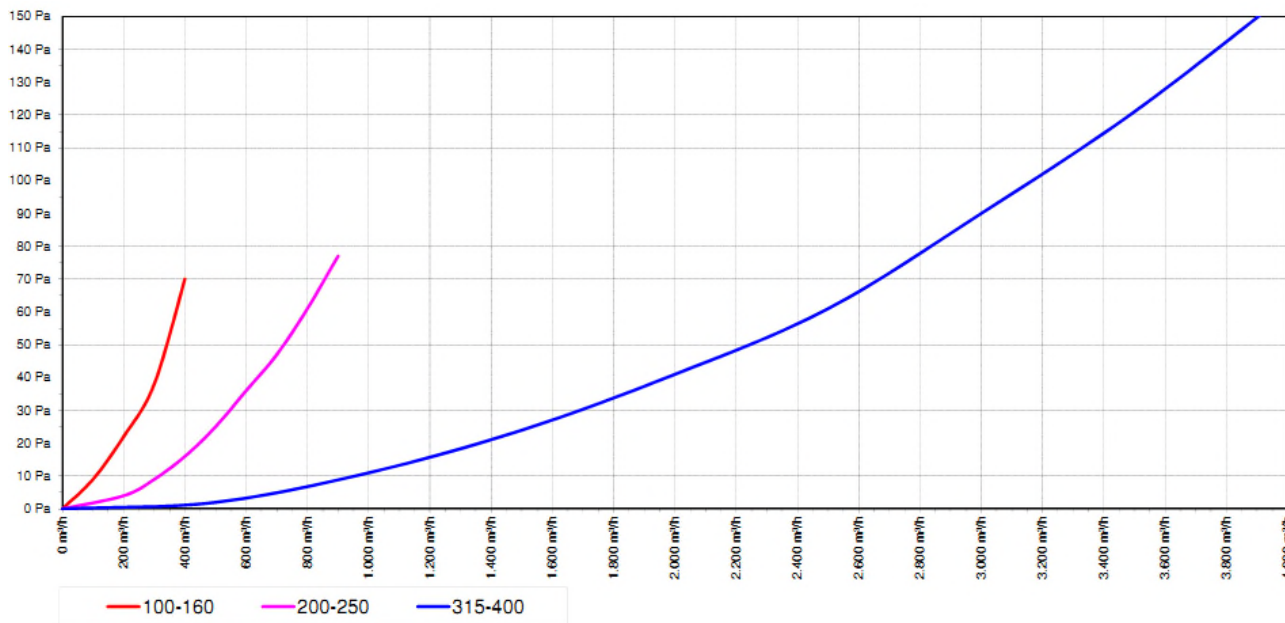
Technical Data:

Dimensions:



Type	Art.-No.	Filter	A [mm]	B [mm]	C [mm]	Ø D [mm]	E [mm]	F [mm]	G [mm]	Weight [kg]
LFB 100	F11-10006	ISO coarse $\geq 60\%$	200	188	100	100	202	175	264	2,1
LFB 125	F11-12506	ISO coarse $\geq 60\%$	200	188	100	125	202	175	264	2,1
LFB 160	F11-16006	ISO coarse $\geq 60\%$	200	188	100	160	202	175	264	2,1
LFB 200	F11-20006	ISO coarse $\geq 60\%$	295	280	150	200	294	275	356	4,1
LFB 250	F11-25006	ISO coarse $\geq 60\%$	295	280	150	250	294	275	356	4,1
LFB 315	F11-31506	ISO coarse $\geq 60\%$	450	380	224	315	394	430	456	8,1
LFB 355	F11-35506	ISO coarse $\geq 60\%$	450	380	224	355	394	430	456	8,1
LFB 400	F11-40006	ISO coarse $\geq 60\%$	450	380	224	400	394	430	456	8,1

Pressure losses (ISO coarse $\geq 60\%$; formerly G4):



Scope of delivery:

- Filterbox (LFB)
- Filter ISO coarse $\geq 60\%$ (formerly G4)