

VBM – Clamps

Accessories for Tube Fans / Zerobox (R/RS/Z) and CompactAir supply air units

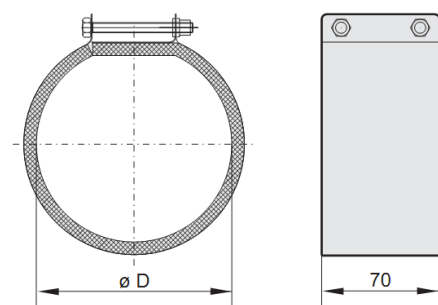
Clamps made of galvanized sheet steel, for a lownoise connection between fan and plumbing. Inside lined with foam.

Suitable for Ex-applications.



Technical Data:

Dimensions:



Size	Type	Art.-No.	Ø D [mm]	Weight [kg/Piece]
100	VBM 100	F60-10000	100	0,30
125	VBM 125	F60-12500	125	0,35
150	VBM 150	F60-15000	150	0,40
160	VBM 160	F60-16000	160	0,45
200	VBM 200	F60-20000	200	0,50
250	VBM 250	F60-25000	250	0,55
315	VBM 315	F60-31500	315	0,70
355	VBM 355	F60-35500	355	0,75
356 / 400	VBM 400	F60-40000	400	0,85

Scope of delivery:

- 2x Clamps (VBM)
- 2x Screws