

**Another possible accessories:**



**VM**

Shutter motor driven



**BG**

Protection guard



**FSL**

Flat Roof Socket  
(High Version)



**SDS**

Base for sloping roof  
(up to 45°)



**SSD**

Sound absorber for  
sloping roof  
(up to 45°)



**SDM**

Sound insulation  
module  
(only for DVS version)



**GS**

ON/OFF-switch



**RE/RTE/RTD**

Control unit IP54  
(not possible  
with DVN from size 355)

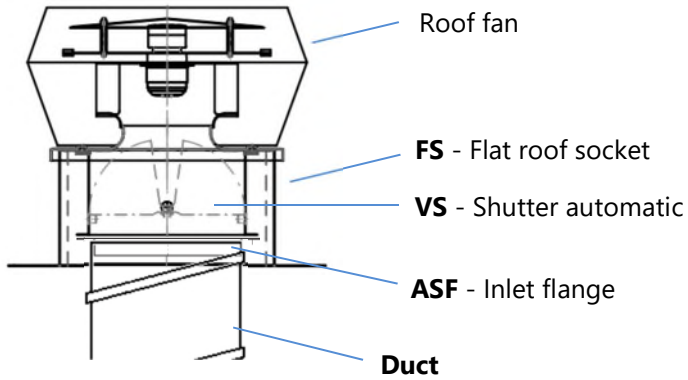


**ED (230V)**

Control unit electronically  
(only to a limited extent)

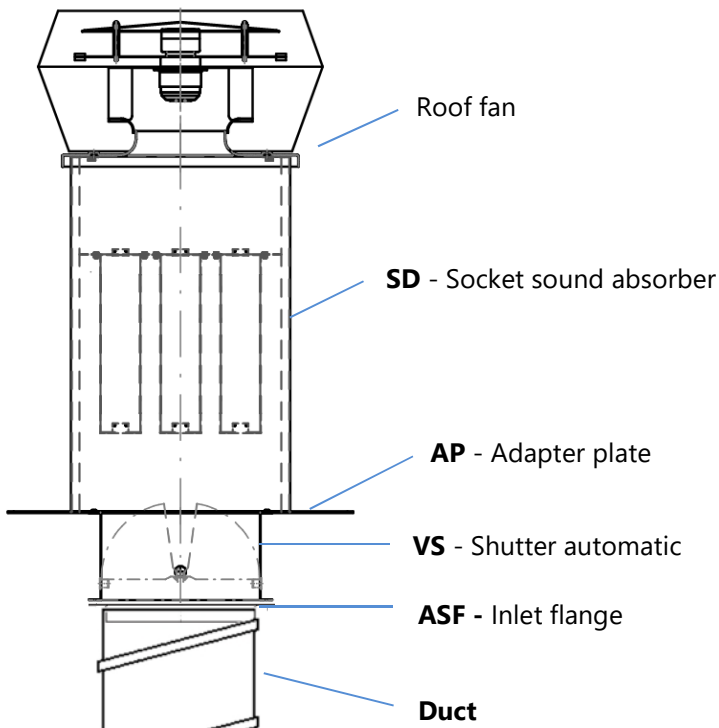
### Installation notes with shutter automatic VS:

Installation in conjunction with Flat roof socket (FS)

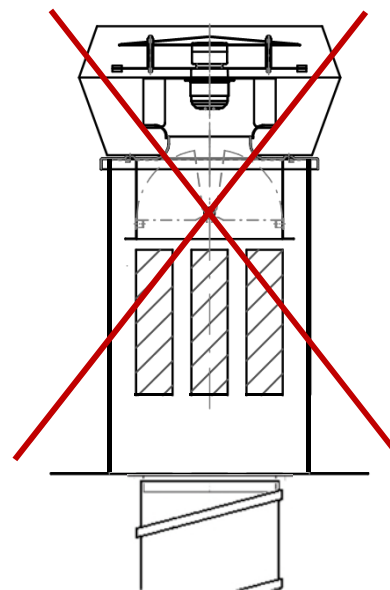


Installation in conjunction with Socket sound absorber (SD)

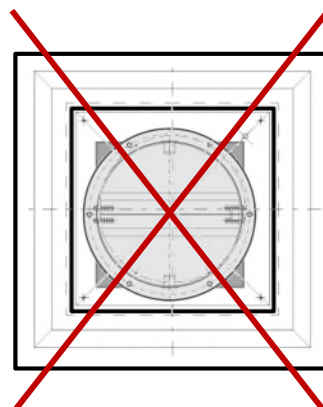
**RIGHT**



**WRONG**



Sideview

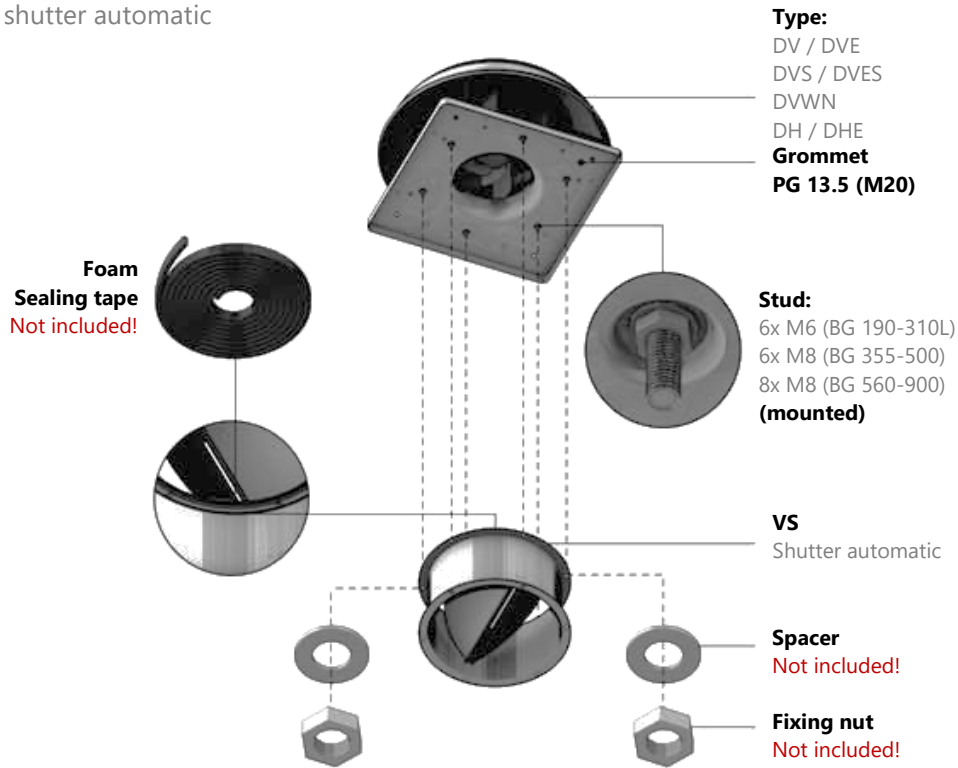


Topview

## Installation of accessories

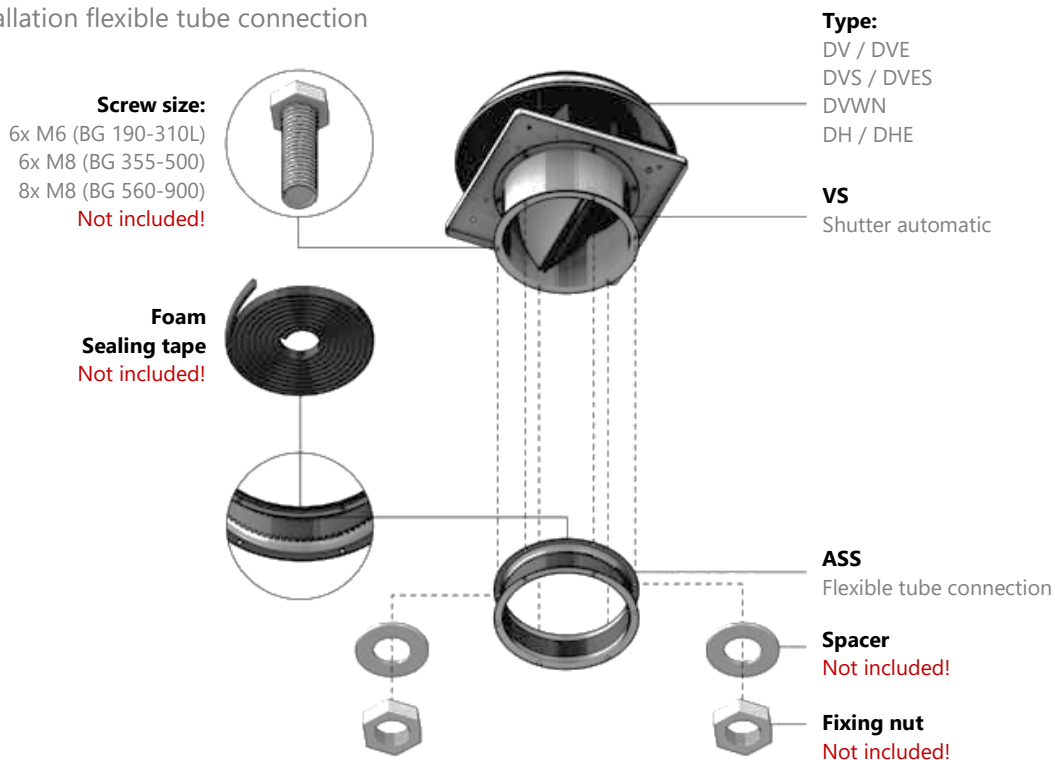
### Step 1

Installation shutter automatic



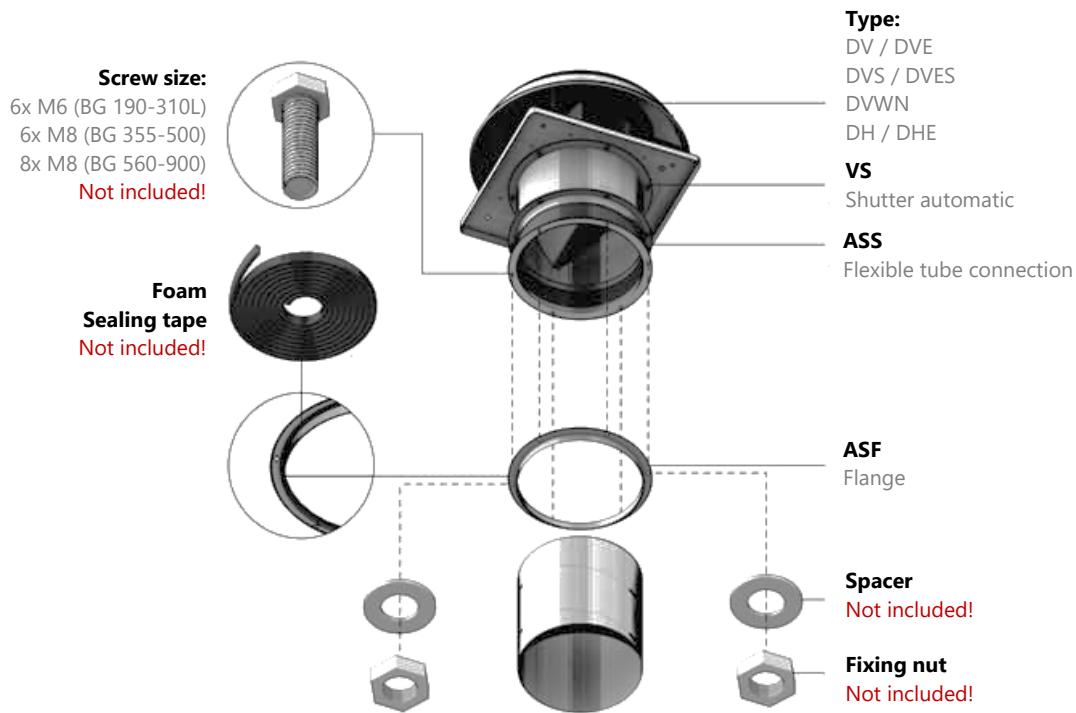
### Step 2

Installation flexible tube connection



### Step 3

#### Installation flange



### Step 4

#### Installation Flat roof socket

