

TD

5-Stage transformer



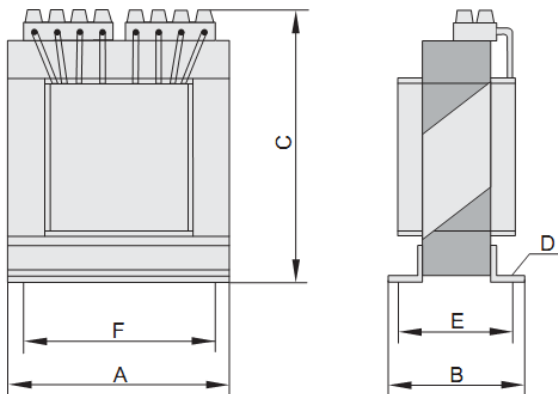
TD
Transformers for switch cabinet installation
(Three phase) 6 Tappings without case.

Design

- Non short circuit proof
- Installation feet and connection terminals
- Max. permitted ambient temperature +40°C
- Insulation class B
- Protection class IP20
- Mains frequency 50/60Hz

Technical Data:

Dimensions:

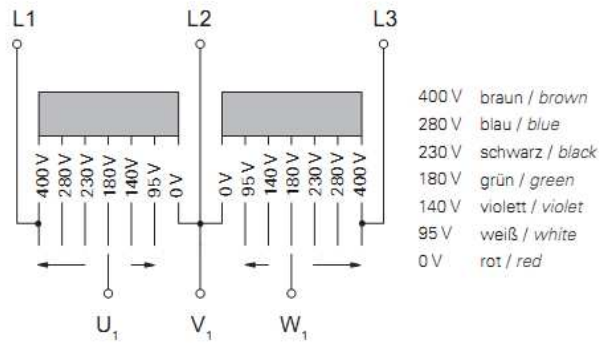


| Type | Art.-No. | max. current [A] | Weight [kg] | Protection class | A | B | C | D | E | F | Remark |
|--------|-----------|------------------|---------------------------|------------------|-----|-----|-----|----------|-----|-----|--|
| TD 1.0 | H60-01000 | 1.0 | 4.0 | IP 20 | 66 | 76 | 109 | 4.5x6.5 | 63 | 50 | primary 400V |
| TD 3.0 | H60-03000 | 3.0 | 10.0 | IP 20 | 120 | 94 | 122 | 5.5x10.5 | 78 | 90 | |
| TD 5.0 | H60-05000 | 5.0 | 14.0 | IP 20 | 135 | 102 | 130 | 5.5x10.5 | 86 | 110 | |
| TD 7.0 | H60-07001 | 7.0 | 18.0 | IP 20 | 135 | 121 | 126 | 5.5x10.5 | 104 | 110 | |
| TD 10 | H60-10001 | 10.0 | 25.0 | IP 20 | 135 | 150 | 130 | 5.5x10.5 | 133 | 110 | |
| TD 14 | H60-14001 | 14.0 | 34.0 | IP 20 | 175 | 136 | 155 | 5.5x10.5 | 114 | 135 | |
| TD 19 | H60-19000 | 19.0 | 35.0 | IP 20 | 180 | 163 | 180 | 11x6.5 | 130 | 155 | secondary 400, 280, 230 , 180, 140, 95 V |
| TD20 | H60-20000 | 20 | Technical data on request | | | | | | | | |
| TD 30 | H60-30000 | 30 | Technical data on request | | | | | | | | |

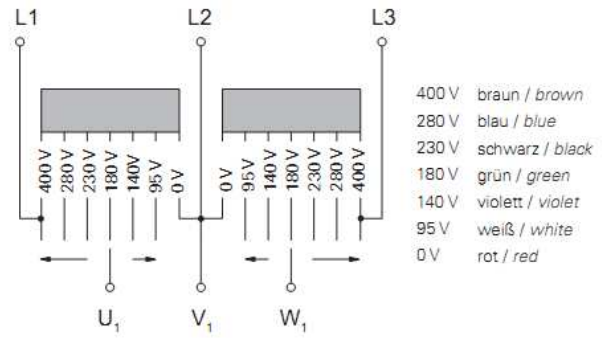
Wiring diagram:

01.214

3 ~ Transformator / 3 ~ Transformer



3 ~ Transformator / 3 ~ Transformer



Scope of delivery:

- 5-Stage transformer (TD)
- Documentation
- TD (Art.-No. H60-...) already contain two transformers