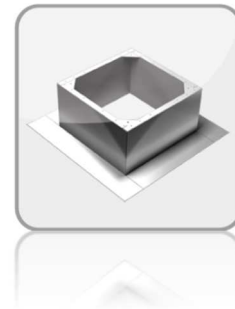


FS – Flat roof socket

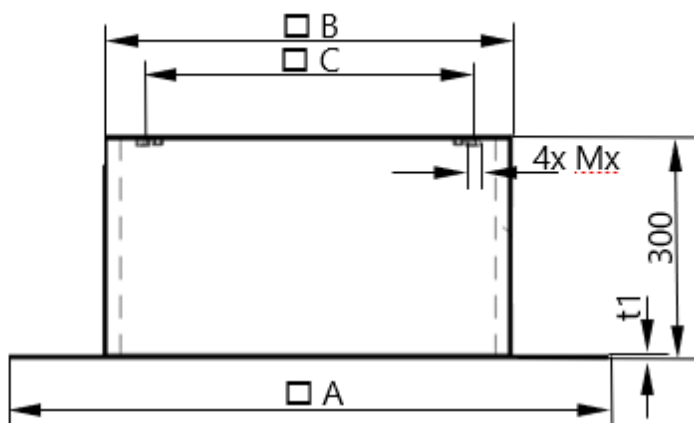
Accessories for Roof Fans

For mounting on flat roofs made of corrosion-resistant aluminum with a 20mm thick abrasion-proof insulating. Standard execution also suited for Ex-applications.



Technical Data:

Dimensions:



| Size | Type | Art.-No. | □ A [mm] | □ B [mm] | □ C [mm] | Mx | t1 | Weight [kg] |
|-----------|------------|-----------|----------|----------|----------|-----|-----|-------------|
| 190 / 225 | FS 190/225 | A80-19000 | 571 | 294 | 245 | M6 | 2.0 | 3,5 |
| 280 / 310 | FS 280/310 | A80-31000 | 657 | 395 | 330 | M6 | 2.0 | 4,5 |
| 355 / 400 | FS 355/400 | A80-35500 | 817 | 555 | 450 | M10 | 2.0 | 6,5 |
| 450 / 500 | FS 450/500 | A80-45000 | 877 | 625 | 535 | M10 | 2.0 | 7,0 |
| 560 / 630 | FS 560/630 | A80-56000 | 1200 | 895 | 750 | M10 | 2.0 | 10,0 |
| 710 | FS 710 | A80-71000 | 1300 | 985 | 840 | M10 | 2.0 | 12,0 |
| 800 / 900 | FS 800/900 | A80-80000 | 1490 | 1205 | 1050 | M12 | 4.0 | 15,0 |

Scope of delivery:

- Flat roof socket (FS)
- Contains mouting material