

Connection flange

ASF...



Contents

- 3 Connection flange for roof fans
- 4 Connection flange for Unoboxes
- 5 Connection flange for axial fans (ER/DR)
- 6 Connection flange for axial fans (ANDB)
- 6 Connection flange for centrifugal fans

ASF – Connection flange

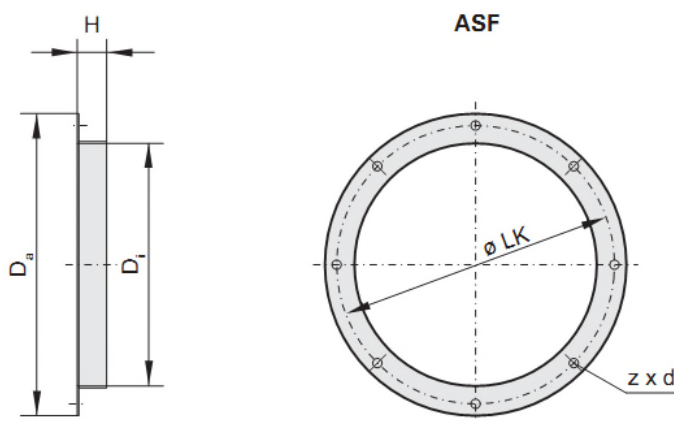
Accessories for roof fans

Connection flange for direct connection of the duct to the fan or to the flexible connector. Made of galvanized sheet steel, suited for Ex applications exhaust. For temperatures to +120°C



Technical data:

Dimensions:



Size	Art.-No.	Da [mm]	Ø LK [mm]	Di [mm]	H [mm]	z x d [mm]	Weight [kg]
190/225	100-19000	235	213	183	25	6xØ7	0,3
280/310	100-31000	306	286	256	25	6xØ7	0,6
355/400/450/500	100-35501	464	438	402	30	6xØ9	0,9
560/630	110-56000	639	605	569	30	8xØ9	1,9
710	100-71000	708	674	634	30	8xØ9	1,5
800/900	100-80002	910	872	797	30	8xØ9	3,5

Scope of delivery:

- Connection flange (ASF)

ASF –Connection flange

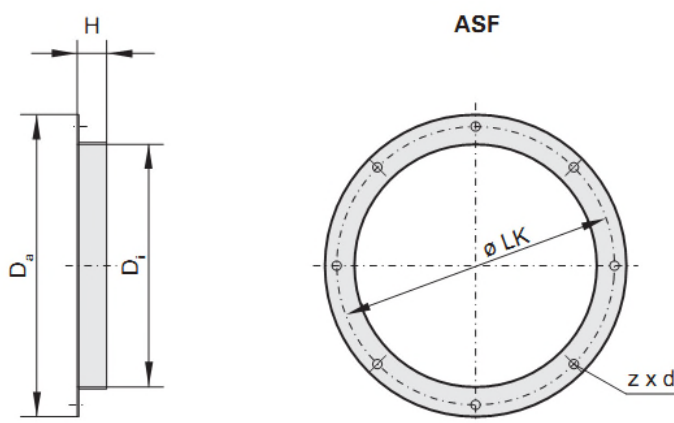
Accessories for Unoboxes

Connection flange for direct connection of the duct to the fan or to the flexible connector. Made of galvanized sheet steel, suited for Ex applications exhaust. For temperatures to +120°C



Technical data

Dimensions:



Size	Art.-No.	Da [mm]	Ø LK [mm]	Di [mm]	H [mm]	z x d [mm]	Weight [kg]
50-355	I10-35502	421	395	361	30	4xØ9	0,9
67-400	I10-45000	514	490	453	25	8xØ12	1,2
67-450	I10-45000	514	490	453	25	8xØ12	1,2
80-500	I10-56000	639	605	569	30	8xØ9	1,9
80-560	I10-56000	639	605	569	30	8xØ9	1,9
80-630	I10-56000	639	605	569	30	8xØ9	1,9
102-630	I10-71000	785	751	711	35	8xØ10	4,5

Scope of delivery:

- Connection flange (ASF)

ASF – Connection flange

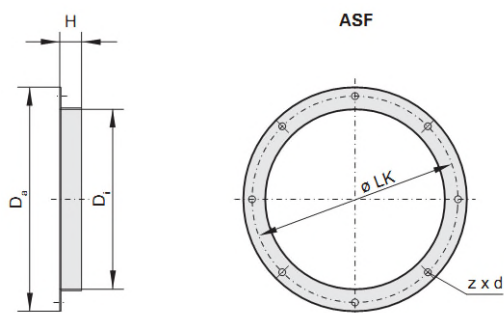
Accessories for axial fans (ER/DR)

Connection flange for direct connection of the duct to the fan or to the flexible connector. Made of galvanized sheet steel, suited for Ex applications exhaust. For temperatures to +120°C



Technical data:

Dimensions:



Size	Art.-No.	Da [mm]	Ø LK [mm]	Di [mm]	H [mm]	z x d [mm]	Weight [kg]
200	110-20000	255	235	205	25	8xØ8	0,3
250	100-31000	306	286	256	25	8xØ8	0,6
300/315	110-31500	382	356	322	30	8xØ9	0,6
350	110-35500	422	395	361	30	8xØ9	0,8
400	100-35501	464	438	402	30	6xØ9	0,9
450	110-45000	514	487	453	25	12xØ8	1,2
500	110-50000	567	541	507	25	12xØ8	1,3
560	110-56000	630	605	569	35	8xØ10	1,9
630	100-71000	709	674	634	35	8xØ10	1,5
710	110-71000	785	751	711	35	8xØ10	4,5
800	110-80000	872	837	794	35	8xØ12	9,0
1000	110-10000	1079	1043	1003	35	8xØ12	3,5

Scope of delivery:

- Connection flange (ASF)

ASF – Connection flange

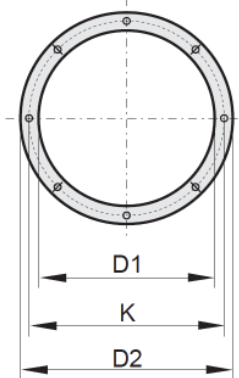
Accessories for axial fans (ANDB)

Connection flange for direct connection of the duct to the fan or to the flexible connector. Made of galvanized sheet steel, suited for Ex applications exhaust. For temperatures to +120°C



Technical data:

Dimensions:



Size	Art.-No.	D1 [mm]	K [mm]	D2 [mm]	Weight [kg]
315	110-31500	322	356	385	0,6
400	110-39900	403	438	464	-
500	110-50000	504	541	571	1,3
560	110-56013	562	605	635	2,0
630	110-63013	632	674	705	3,0
710	110-71013	711	751	780	4,5
800	110-80013	797	837	870	5,0
900	110-90013	894	958	1004	-
1000	110-10013	1003	1067	1105	-

Scope of delivery:

- Connection flange (ASF)

ASF – Connection flange

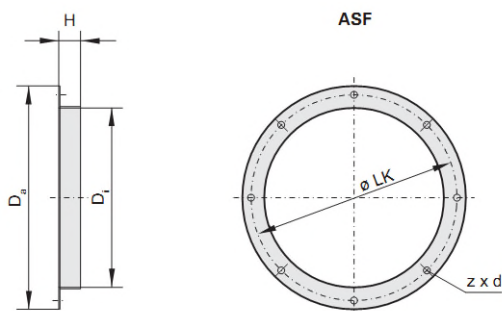
Accessories for centrifugal fans

Made of galvanized sheet steel, suited for temperatures up to +70°C.



Technical data:

Dimensions:



Size	Art.-No.	Da [mm]	Ø LK [mm]	Di [mm]	H [mm]	z x d [mm]	Weight [kg]
180	110-18000	220	201.5	183	20	6xØ7	0,3
200	110-20000	255	235	205	25	6xØ8	0,3
225	110-22500	279	259	229	25	6xØ8	0,5
250	100-31000	306	286	256	25	6xØ8	0,5
279/281	110-27900	320	304	256	25	6xØ8	0,5
280	110-28000	348	320	288	30	6xØ9	0,5
314/315	110-31500	382	356	322	30	8xØ9	0,5
355/356	110-35500	422	395	361	30	8xØ9	1,0
399/400	110-39900	464	438	402	30	8xØ9	1,0
450	110-45000	514	490	453	25	8xØ12	1,2
500	110-50000	567	540	507	25	8xØ12	1,3
560	110-56000	639	610	569	35	8xØ15	1,9

Scope of delivery:

- Connection flange (ASF)