

VS – Shutter automatic

Accessories for Roof Fans

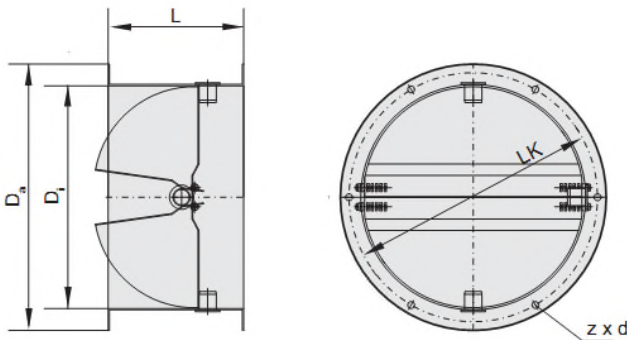
Prevents for cold air descent at standstill of the fan, casing made of galvanized sheet steel, shutters made of aluminium. Ex variations with shutters made of galvanized sheet steel. The shutters prevent air turbulences through their effective design. They have the effect of baffles. This means that there is no additional pressure loss in the shutter.



Only suitable for horizontal installation.

Technical Data:

Dimensions:



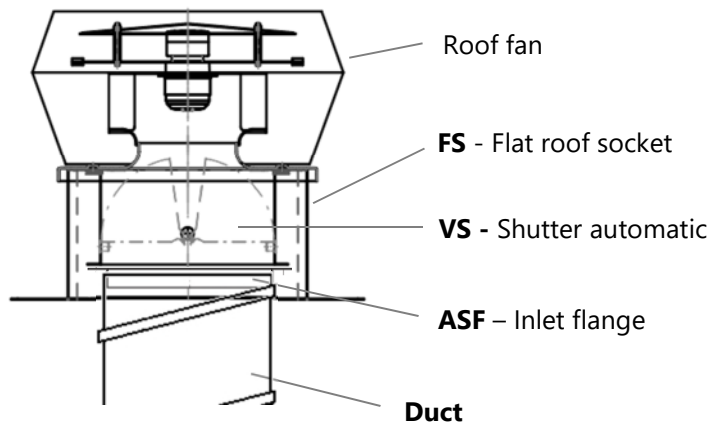
Size	Type	Art.-No.	Da [mm]	LK [mm]	Di [mm]	L [mm]	z x d [mm]	Weight [kg]
190 / 225	VS 190/225	A60-19000	235	213	186	115	6xØ8	1,0
280 / 310	VS 280/310	A60-31000	306	286	256	156	6xØ8	2,0
	VS 280/310 Ex	A60-31070						
355 – 500	VS 355/500	A60-35500	464	438	402	220	6xØ10	4,5
	VS 355/500 Ex	A60-35570						
560 / 630	VS 560/630	A60-56000	639	605	569	255	8xØ10	6,5
	VS 560/630 Ex	A60-56070						
710	VS 710	A60-71000	708	674	635	250	8xØ10	7,5
	VS 710 Ex	A60-71070						
800 / 900	VS 800/900	A60-80000	910	872	797	340	8xØ10	15,5

Installation notes (1):

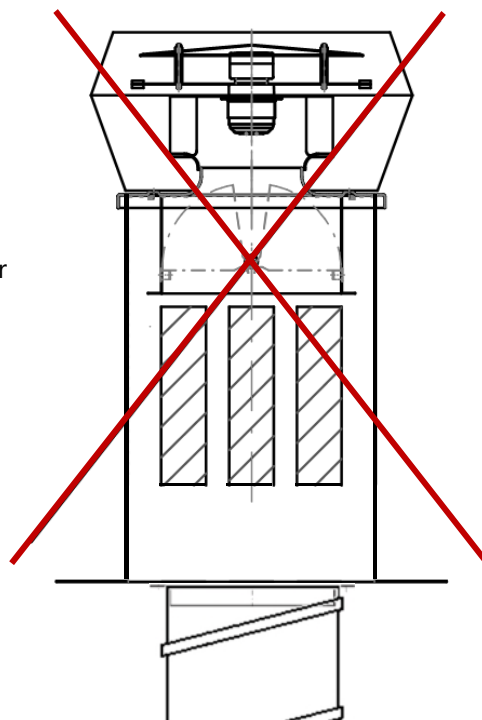
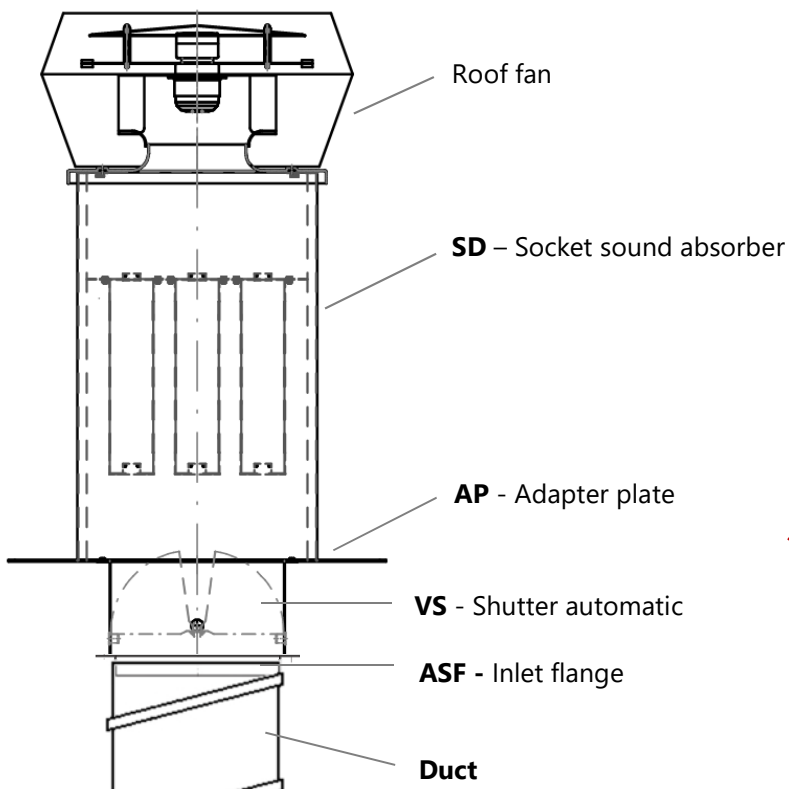
Fluidic reasons the assembly of the flap must be linked to a base muffler underneath the base (not the base); see installation notes (2). For this purpose, an adapter plate (AP) with the socket in the roof must be involved.

Installation notes (2):

Installation in conjunction with **Flat roof socket (FS)**:



Installation in conjunction with **Socket sound absorber (SD/SDK)**



Scope of delivery:

- Shutter automatic (VS)