

## RTD

### 5-Stage Control Unit



#### 5-Stage control unit

Three-phase, 5-speed controller with main contactor and monitor light for speed regulation with transformer of voltage controlled motors / fans. With the step switch, which is built into the controller, five different speeds can be adjusted on the connected motor / fan. Thus switch step 1 corresponds to the lowest, respectively switch step 5 corresponds to the highest speed. The controller's control circuit is protected by a fuse of 2A.

#### Motor protection

On exceeding the maximum permissible winding temperature of the motor / fan. The thermal contacts, which are embedded in the motor winding, open. The mains contactor, which is incorporated in the controller, drops and disconnects the motor/fan from the mains power supply. After the cause of the interruption has been remedied, restarting is only possible at the 0-position on the 5-step switch.

#### After power failure

Switch on again is only possible after a first switch to the 0-step.

#### Design

RTD 1.2 / RTD 2.5 / RTD 3 / RTD 3.8

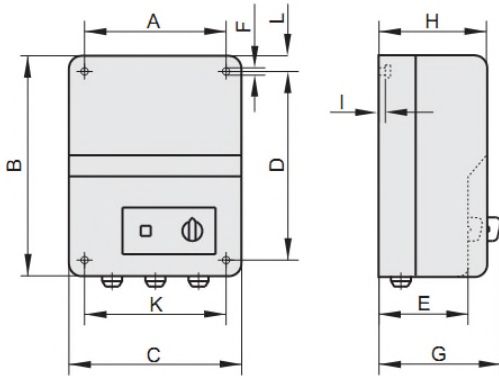
Enclosure with aluminium die cast base and light grey plastic lid in protection class IP54.

RTD 5

Plastic coated white sheet steel in enclosure in protection class IP54.

## Technical Data:

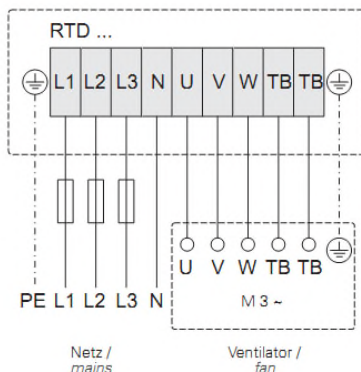
### Dimensions:



Type	Art.-No.	max. current [A]	Weight [kg]	Protection class	A	B	C	D	E	F	G	H	I	K	L
RTD 1.2	H00-01201	1.2	6.5	IP 54	180	290	230	253	120	7	145	136	3.5	205	10
RTD 2.5	H00-02501	2.5	11.0	IP 54	180	290	230	253	120	7	145	136	3.5	205	10
RTD 3.0	H00-03002	3.0	13.0	IP 54	180	290	230	253	120	7	145	136	3.5	205	10
RTD 3.8	H00-03801	3.8	15.0	IP 54	180	290	230	253	120	7	145	136	3.5	205	10
RTD 5.0	H00-05000	5.0	18.0	IP 54	216	315	245	285	---	7	158	133	---	216	15
RTD 7.0	H00-07003	7.0	26	IP 54	315	410	380	345	---	7	173	155	---	315	33
RTD 10	H00-10000	10.0	33.5	IP 54	315	410	380	345	---	7	173	155	---	315	33
RTD 14	H00-14000	14.0	37	IP 21	---	385	310	---	---	---	---	225	---	---	---
RTD 19	H00-19000	19.0	55	IP 21	---	500	360	---	---	---	---	275	---	---	---
RTD 24	H00-24000	24.0	70	IP 54	---	500	400	---	---	---	---	250	---	---	---

### Wiring Diagram:

01.074



### Scope of Delivery:

- 5-Stage control unit (RTD)
- Documentation

**Voltage Specification:**

Current type	Input	Level	Voltage
Three phase	3~400V / 50Hz	1	140V
		2	180V
		3	230V
		4	280V
		5	400V